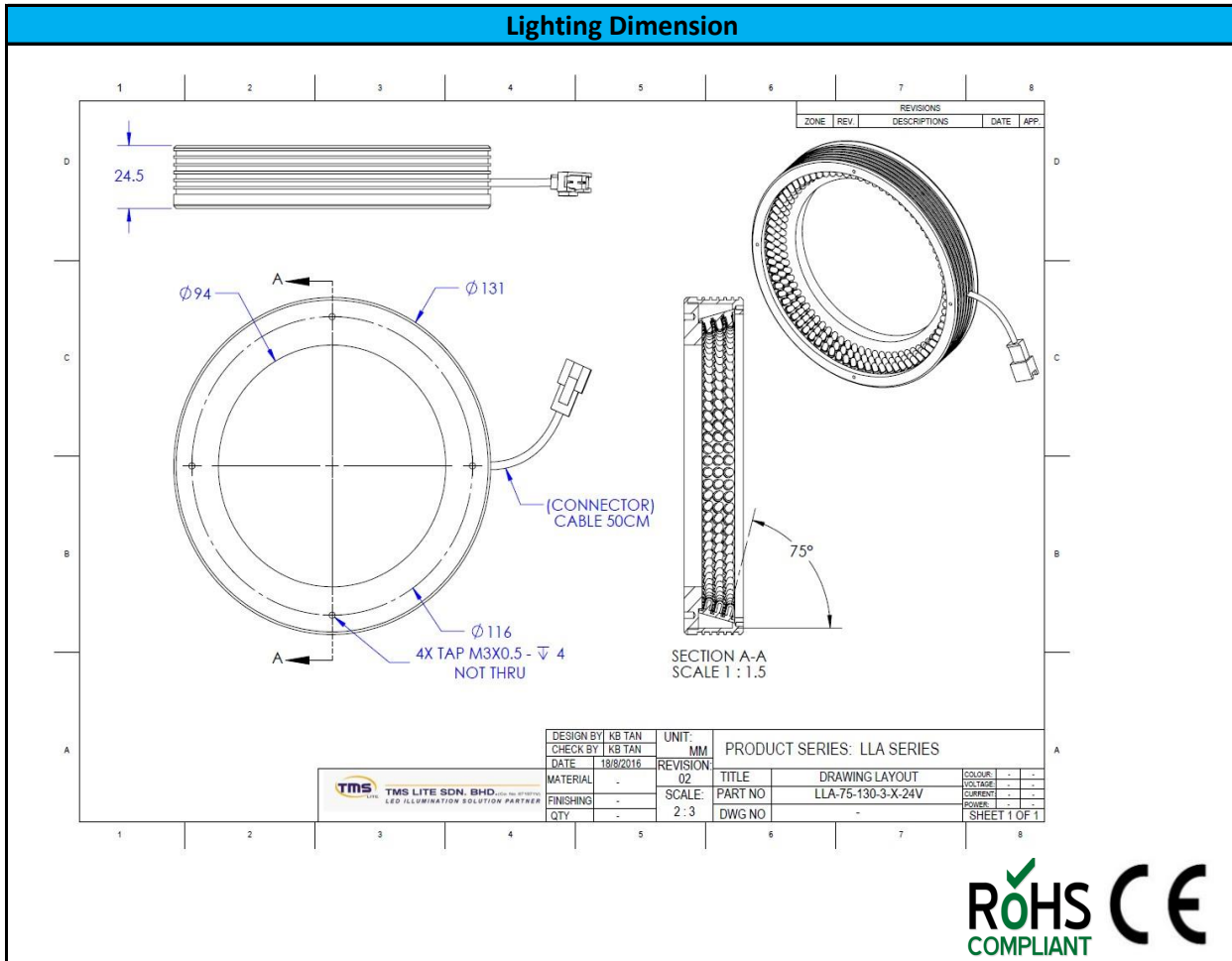




OPTO ENGINEERING

ILLUMINATOR DATA

LTZZ0130-75-3-W-24V



Mechanical Information	
Casing Material	Aluminium
Storage Temperature Range	0 - 45°C
Storage Humidity Range	20 - 85%
Weight	260 g
Length / Outer Diameter	131 mm
Width / Inner Diameter	94 mm
Thickness / Height	24.5 mm



OPTO ENGINEERING

ILLUMINATOR DATA

LTZZO130-75-3-W-24V

Lighting Information												
Part Number	LTZZO130-75-3-W-24V											
LED Color	WHITE											
Wavelength	REFER TO CHROMACITY TABLE											
Working Distance	5 mm	10 mm	15 mm									
Intensity (±15%)	122262 lx	113600 lx	84206 lx									
Illumination (number of row)	3											
Illumination Active Area	Active Length / Outer Dia.		118 mm									
	Active Width / Inner Dia.		94 mm									
Emission angle	75											
Eye Safety Class (IEC62471)	EXEMPT											
Chromaticity Table	X		0.296	0.287	0.307	0.311	X		0.311	0.307	0.33	0.33
For White colour only	Y		0.276	0.295	0.315	0.294	Y		0.294	0.315	0.339	0.318

Electrical Information	
Rated Constant Voltage	24V±2%
Rated Constant Current	540mA
Power Consumption	12.96W
Casing temperature, After 60 minutes operation	55.9 °C

Strobe Mode Specification	
*Normal Strobe Voltage	24 V
*Normal Strobe Current	540 mA
Overdrive Voltage Range	Min: 36V Max: 48V
Overdrive Current Range	Min: 2 A Max: 3.6 A
Recommended Overdrive Voltage	36V
**Max. Trigger Pulse Duration	10 msec
**Max. Duty Cycle	10%

*Normal strobe means the lighting is operated using the rated power. Overdrive means the power supplied to the lighting exceeded the rated power.


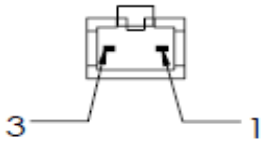
**Overdrive condition must not exceed the max. trigger pulse duration and max. duty cycle.



OPTO ENGINEERING

ILLUMINATOR DATA

LTZZ0130-75-3-W-24V

Connection Information			
Connector Type (Default)	JST SMR-03V		
Cable Length	50 cm		
Pin Configuration 	Pin	Signal	Cable Colour
	1	LED +	Red
	2	N.C	-
	3	LED -	White
			

Additional Information	
Additional Cooling Method	Attached to machine part for better heat dissipation
Intensity Controller Selection	SD, ST, ANG, LC, SDA, SDP series
CE Conformity	YES
RoHS Compliance	YES

Application	
Illumination Type	Direct Illumination
Application Use	Label Inspection, Character Inspection, Code Recognition



OPTO ENGINEERING

ILLUMINATOR DATA

LTZZ0130-75-3-W-24V

Lighting Pattern				
Working Distance	For further details please contact us			
Display and Image				
Data Results	Horizontal	Meas.(mm)	Vertical	Meas.(mm)
	90%		90%	
	80%		80%	
	70%		70%	
	60%		60%	
	50%		50%	
	40%		40%	
	30%		30%	
	20%		20%	
	10%		10%	